

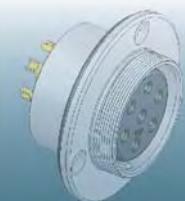
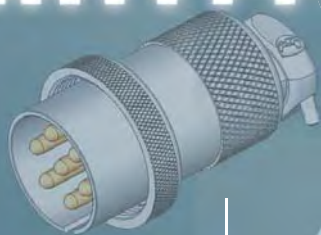
ISO 9001
ISO 14001

Invax 

Circular Connectors

Industrial High Reliability Interconnect Solutions

圓形工業連接器





CR Series



CS Series



CT Series



CP Series

Invax 

INVAX System Technology Corp.

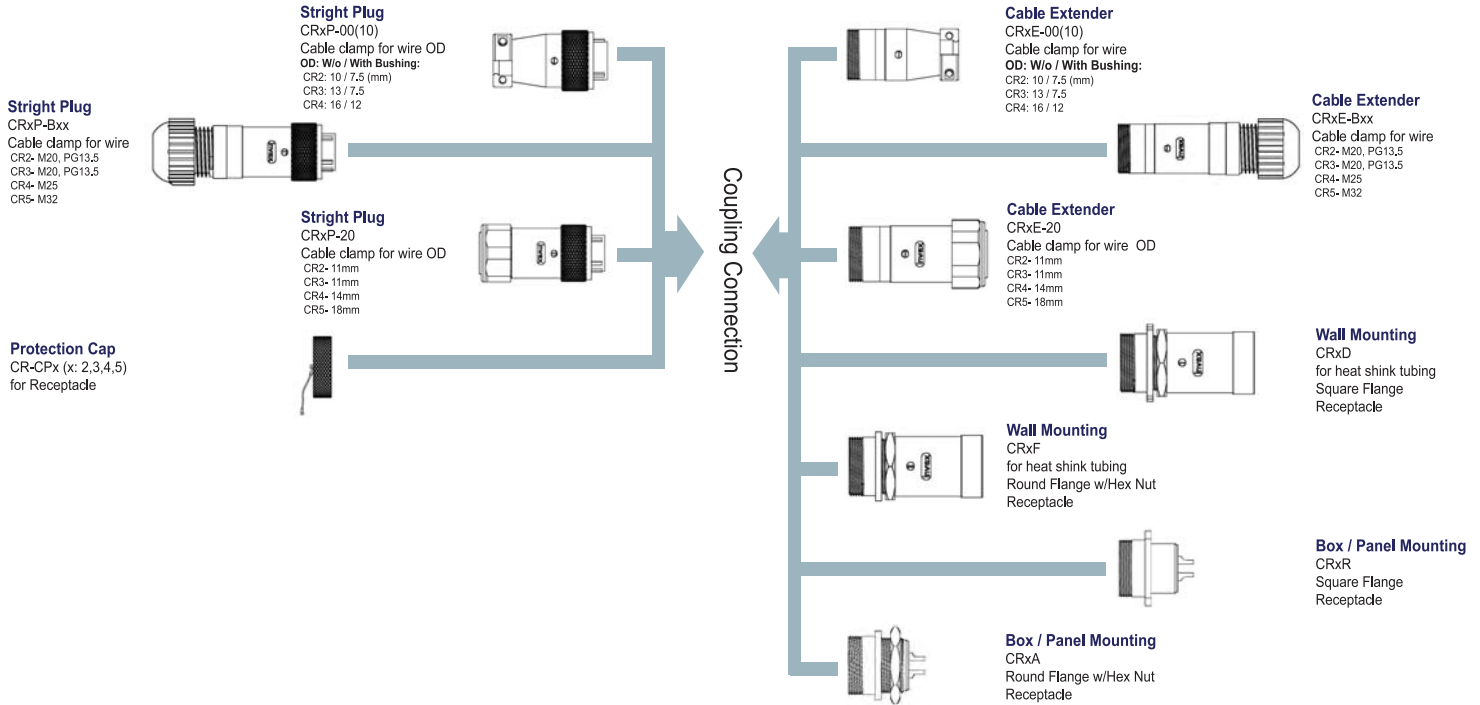
4F. No.815, Chung Hsiao East Rd., Sec.5, Taipei, TAIWAN, R.O.C.
TEL : +886-2-27885218 FAX: +886-2-27831658
www.invaxsystem.com info@invax.com.tw

英碩科技股份有限公司
台北市南港區忠孝東路5段815號4樓
TEL : (02) 2788- 5218 FAX: (02) 2783-1658



CR Series --Mating Styles Configuration

對接式樣圖



Part No. Code : 型號編碼表

Series	Part No. Code	CR / CS Series	CT Series	CM Series
CR / CS Series	CR 2 P - 07 A P N S - 10	<p>CR / CS Series Shell Size : 1,2,3,4,5 本體大小</p> <p>Connector Type P : Straight Plug R : Receptacle Box Mount Screw Flange (D: with backshell for heatshink tubing) A : Receptacle w/Hex Nut Flange (F: with backshell for heatshink tubing) E : Cable Extender 外型式樣</p> <p>Contact No. 接點數</p> <p>Contact Type P : Male S : Female 公母接點</p> <p>Insert Arrangement : A-Z 接點排列形式</p> <p>Alternate Position N : Normal W,X,Y,Z : Front face of pin insert rotation W:60° X:120° Y:240° Z:300° (CR only) 接點旋轉角度</p> <p>Shell Finish S : Silver Color B : Black Color 外型顏色</p> <p>Cable Clamp Type 00 : STD Cable Clamp 10 : Clamp with Bushing 20 : Flex. Conduit Type B20 : M20 Plastic Clamp Black (CR2/CR3) G20 : M20 Plastic Clamp Gray (CR2/CR3) W20 : M20 Plastic Clamp White (CR2/CR3) B25 : M25 Plastic Clamp Black (CR4) G25 : M25 Plastic Clamp Gray (CR4) W25 : M25 Plastic Clamp White (CR4) B32 : M32 Plastic Clamp Black (CR5) 尾部接線式樣</p>	<p>CT Series Shell Size : 2,3,4 本體大小</p> <p>Connector Type P : Straight Plug R : Receptacle Box Mount Screw Flange C : Box Mount Screw Flange Plug Type E : Cable Extender 外型式樣</p> <p>Contact No. 接點數</p> <p>Contact Type P : Male S : Female 公母接點</p> <p>Insert Arrangement : A-Z 接點排列形式</p> <p>Alternate Position N : Normal W,X,Y,Z : Front face of pin insert rotation W:60° X:120° Y:240° Z:300° 接點旋轉角度</p> <p>Shell Finish S : Silver Color B : Black Color G : Gold Color 外型顏色</p> <p>Cable Clamp Type L0 : Long Shell Type + Black Plastic Clamp S0 : Short Shell Type + Black Plastic Clamp 尾部接線式樣</p>	<p>CM Series Shell Size : 1 本體大小</p> <p>Connector Type P : Straight Plug R : Receptacle Box Mount Screw Flange C : Box Mount Screw Flange Plug Type E : Cable Extender 外型式樣</p> <p>Contact No. 接點數</p> <p>Contact Type P : Male S : Female 公母接點</p> <p>STD. Insert Arrangement : A 接點排列形式</p> <p>STD. Alternate Position : N 接點旋轉角度</p> <p>Shell Finish S : Silver Color B : Black Color 外型顏色</p> <p>Cable Clamp Type 10 : Cable Bushing MD : Cable Molding 尾部接線式樣</p>

CR Series CR系列

- Solid metal shell construction
- Threaded coupling & color coded ring option
- Cost effective for industrial grade application
- Key polarization and alternate position
- Gold plated & solder contact terminals

No. of contacts 接點數及電氣規格:

CR2 : 2, 3 (pins)	15A / 250V
4, 5, 7	10A / 250V
10, 12	5A / 250V
CR3 : 2, 3 (pins)	20A / 250V
4, 5	15A / 250V
10	10A / 250V
14, 16	5A / 250V
CR4 : 7 (pins)	15A / 250V
12, 16	10A / 250V
17, 20, 26	5A / 250V
CR5 : 24 (pins)	8A / 250V

Series 規格系列	CRxR Box Mounting (Square Flange) 方型面板座				CRxA Box Mounting (Round Flange w/Hex lock nut) 圓型面板座				CRxD Wall Mounting w/backshell (Square Flange) 方型面板座 (束線型)				CRxF Wall Mounting w/backshell (Round Flange w/Hex lock nut) 圓型面板座 (束線型)				CRxP-10 Straight Plug w/bushing 套環型接線接頭 (夾線式)				CRxE-10 Cable Extender w/bushing 延長型接線接頭 (夾線式)				CRxP-20 Straight Plug (For flexible conduit) 套環型接線接頭 (浪管式)				CRxE-20 Cable Extender (For flexible conduit) 延長型接線接頭 (浪管式)				CRxP-Bxx Straight Plug (w/plastic cable gland clamp) 套環型接線接頭 (束線束線式)				CRxE-Bxx Cable Extender (w/plastic cable gland clamp) 延長型接線接頭 (束線束線式)			
	Male (公)		Female (母)		Male (公)		Female (母)		Male (公)		Female (母)		Male (公)		Female (母)		Male (公)		Female (母)		Male (公)		Female (母)		Male (公)		Female (母)		Male (公)		Female (母)									
Connector Style 外型式樣																																								
Outer Dimension of Connector 外型尺寸																																								
CR2	21.8	26.4	so 22.9	so 29.0	21.8	9.9	26.4	28.5	21.8	47.8	so 22.9	so 29.0	21.8	48.7	13.0	28.5	16.0	50.0	8.5	25.5	21.8	48.7	8.5	21.8	16.0	25.5	57.5	11.3	21.8	56.5	11.3	27.5	16.0	78.4	12.0	25.5	21.8	77.8	12.0	27.0
CR3	25.4	26.8	so 26.2	so 32.0	25.4	10.3	26.8	31.5	25.4	53.4	so 26.2	so 32.0	25.4	53.4	13.4	31.5	20.5	53.0	9.8	30.0	25.4	53.4	9.8	25.8	20.5	30.0	62.5	11.3	25.4	62.8	11.3	27.5	20.5	84.5	12.0	30.0	25.4	85.0	12.0	27.0
CR4	29.8	26.8	so 30.0	so 35.0	29.8	10.5	26.8	34.5	29.8	55.0	so 30.0	so 35.0	29.8	55.0	17.0	34.5	24.5	56.0	12.5	33.8	29.8	55.0	12.5	29.8	24.5	33.8	62.5	14.7	29.8	61.0	14.7	32.5	24.5	88.3	13.0	33.8	29.8	87.6	13.0	33.0
CR5	38.0	40.0	so 34.9	so 44.8	38.0	20.8	40.0	44.0	38.0	72.0	so 34.9	so 44.8	38.0	72.0	19.0	44.0	32.7	70.0	16.5	43.0	38.0	72.0	16.5	37.8	32.7	43.0	80.0	19.2	38.0	82.0	19.2	38.8	32.7	110	20.0	43.0	38.0	112	20.5	42.5

CS Series CS系列

- Solid metal shell construction
- Threaded coupling hard dielectric inserts
- Cost effective for industrial grade application
- Front Key polarization
- Solder contact terminals

No. of contacts 接點數及電氣規格:

CS1 : 2, 3, 4 (pins)	5A / 125V
CS2 : 2, 3, 4, 5, 6, 7, 8 (pins)	5A / 125V
CS3 : 2, 3, 4, 5, 6 (pins)	10A / 250V
CS4 : 2, 3, 4, 5, 7, 8 (pins)	15A / 250V

Series 規格系列	CSxA Box Mounting Round Flange w/Hex Lock Nut 圓型面板座				CSxR Box Mounting (Screw Flange) 圓型面板座				CSxP Straight Plug 套環型接線接頭 (夾線式)			
	Male (公)		Female (母)		Male (公)		Female (母)		Male (公)		Female (母)	
Connector Style 外型式樣												
Outer Dimension of Connector 外型尺寸												
CS2	15.6	5.5	20.5	18.5	-	-	-	-	12.5	18.0	8.6	43.3
CS3	-	-	-	-	42.2	27.5	120	33.5	21.0	27.7	10.8	50.3
CS4	-	-	-	-	46.0	29.3	120	37.8	24.9	33.0	123.3	54.8

CM Series CM系列

- Subminiature size metal shell construction
- Threaded coupling and gold plated contacts
- Cost effective for instrument application
- Solder contacts and molded on wire options

No. of contacts 接點數及電氣規格:

CM1 : 2, 3 (pins)	3A / 125V
4, 5, 6	2A / 125V

Series 規格系列	CMxC Box Mounting w/Hex Nut 面板座				CMxP-10 Straight Plug 套環型接線接頭				CMxE-10 Cable Extender 延長型接線接頭				CMxP-MD Straight Plug (w/Molding Cable Molding) 套環型接線接頭 (含線成型)				CMxE-MD Cable Extender (w/Molding Cable) 延長型接線接頭 (含線成型)			
	Male (公)		Female (母)		Male (公)		Female (母)		Male (公)		Female (母)		Male (公)		Female (母)		Male (公)		Female (母)	
Connector Style 外型式樣																				
Outer Dimension of Connector 外型尺寸																				
CM1	9.5	6.6	17.8	10.0	7.5	46.5	4.0	11.4	9.5	6.6	44.6	4.0	7.5	16.0	4.0	11.4	9.5	6.6	16.0	4.0

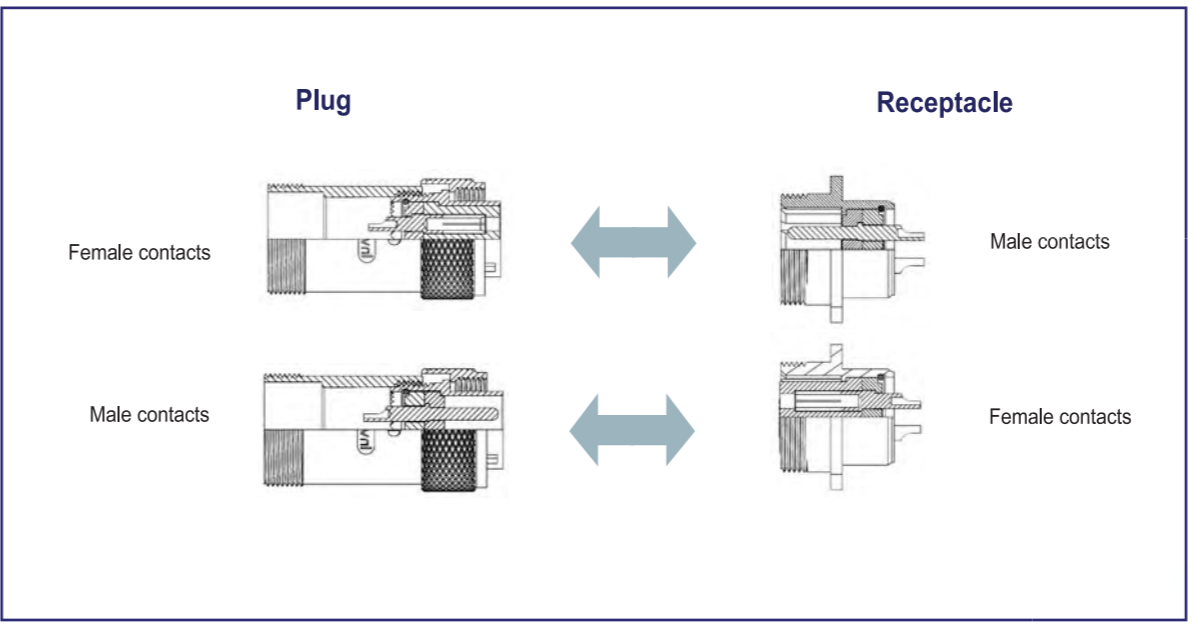
CT Series CT系列

- Robust Aluminum alloy shell construction
- Threaded coupling conform IP-67
- Heavy duty for industrial grade application
- Front Key polarization and alternate positions
- Hard gold plated Solder contact terminals

No. of contacts 接點數及電氣規格:

CT4 : 8, 13 (pins)	40A / 250V
19, 24	25A / 250V
39	10A / 250V

Series 規格系列	CT4R Box / Wall Mounting (Screw Flange) 面板座								CT4C Short Backshell (w/plastic cable gland clamp) 接線短柄接頭								CT4E-S0 Long Backshell (w/plastic cable gland clamp) 接線長柄接頭							
	Female Receptacle (母)				Male Plug (公)				Female Cable Extender (母)				Male Straight Plug (公)				Female Cable Extender (母)				Male Straight Plug (公)			
Connector Style 外型式樣																								
Outer Dimension of Connector 外型尺寸																								
CT4	45.8	25.7	so 41	so 56	50.0	35.8	so 41	so 56	45.8	87.5	26.5	56.6	50.0	93.0	26.5	64.0	45.8	127	26.5	56.6	50.0	135	26.5	64.3



* Dimensions subject to change without notice.